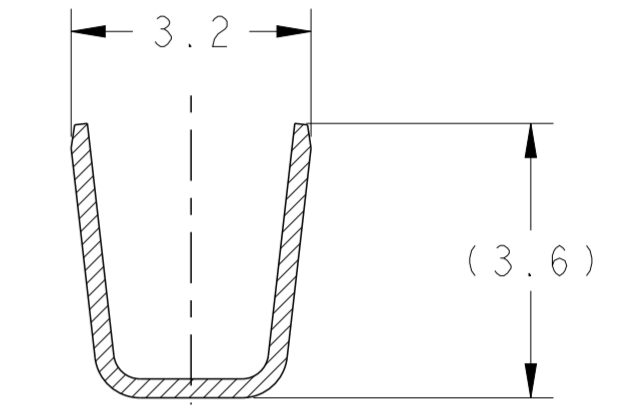
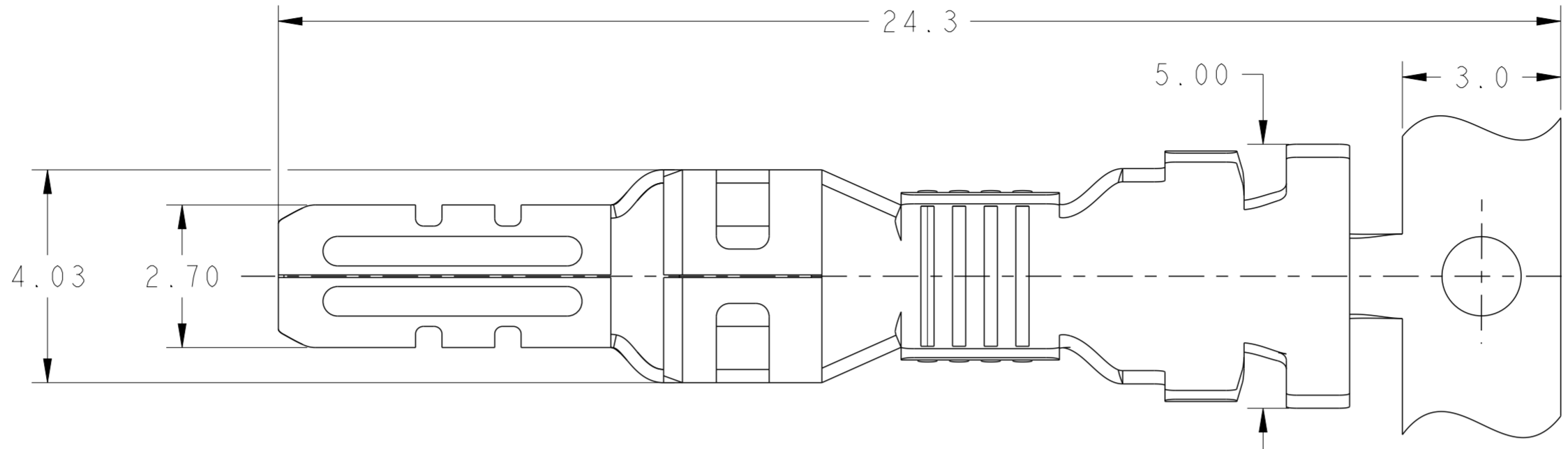


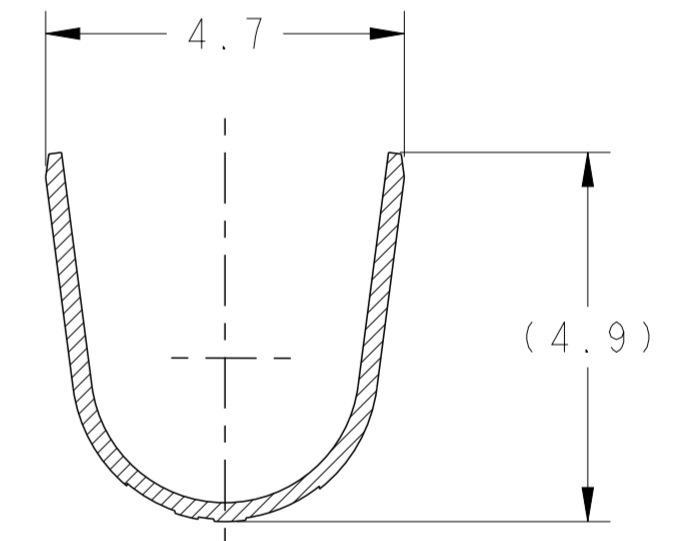
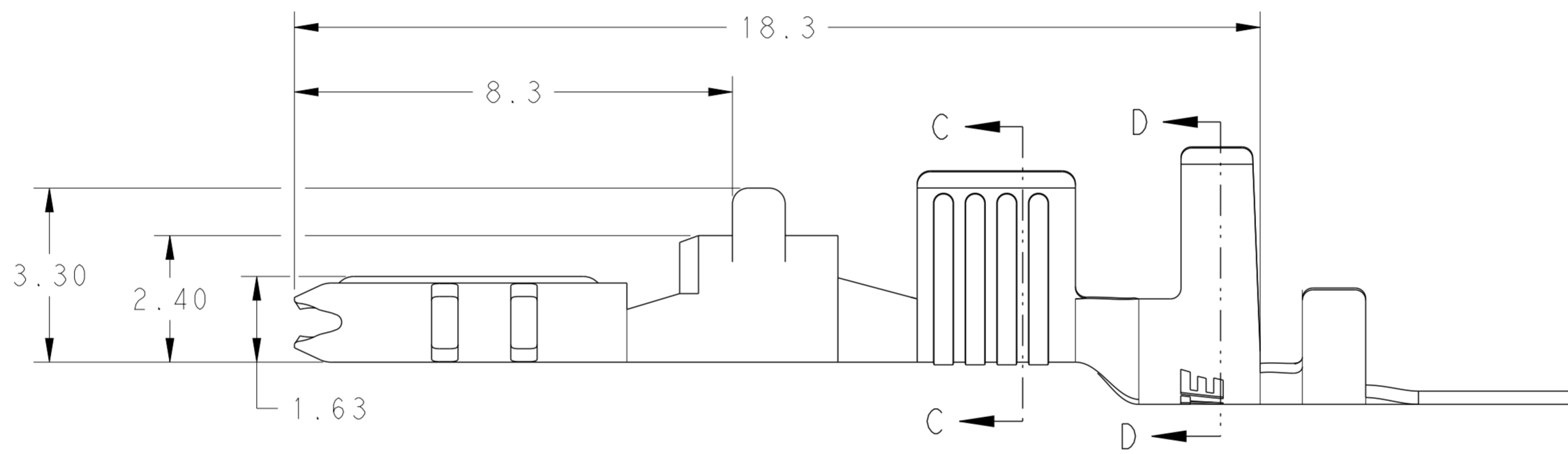
THIS DRAWING IS UNPUBLISHED. RELEASED FOR PUBLICATION 20
 © COPYRIGHT 20 BY - ALL RIGHTS RESERVED.

LOC ES DIST 00

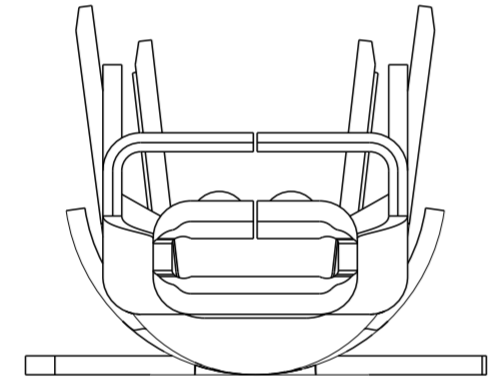
REVISIONS				
P	LTR	DESCRIPTION	DATE	APVD
B1		REVISED PER ECR-15-013268	10SEP2015	NK GJ



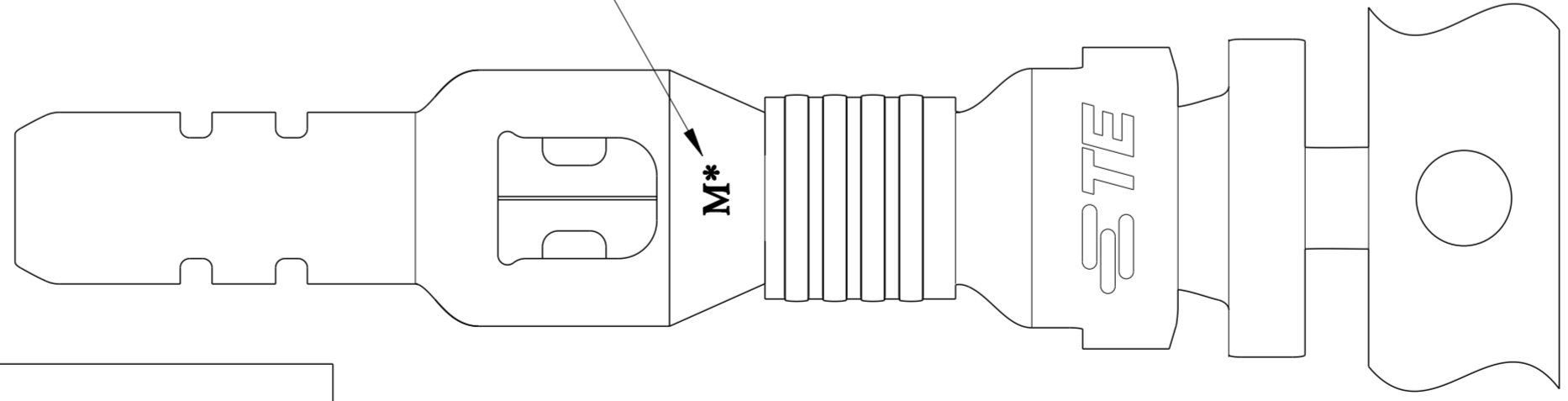
SECTION C-C



SECTION D-D



MATERIAL MARK



1. APPLICABLE WIRE: 14AWG COPPER STRANDED
2. APPLICABLE INSULATION DIAMETER: 3.40~3.70mm
3. APPLICABLE MATED CAP HOUSING P/N:
 -1971771-/*-1971774-*/*-1971874-*/
 -1971772-/*-1971775-*/*-1971875-*/
 -2232263-/*-2232264-*/*-2232356-*/
 -2232358-/*-2232359-*/*-2232360-*

4. This product has not completed validation testing.

COPPER ALLOY	HIGH(150°C)	M0	1971782-2
BRASS	STANDARD(105°C)	M8	1971782-1
MATERIAL	TEMP. RATING	MATERIAL MARK	PART NO

THIS DRAWING IS A CONTROLLED DOCUMENT.

DIMENSIONS: mm	TOLERANCES UNLESS OTHERWISE SPECIFIED:	DWN TOMMY WU 11JUL2011	TE Connectivity
	0 PLC ± -	CHK HAPYE WU 11JUL2011	
	1 PLC ±0.5	APVD YUHONG MAO 11JUL2011	
	2 PLC ±0.30	PRODUCT SPEC 108-106118	
MATERIAL	FINISH PRE-TIN	APPLICATION SPEC 114-106118	NAME
SEE TABLE		WEIGHT -	SIZE A2 CAGE CODE 00779 DRAWING NO 1971782 RESTRICTED TO -
		Customer Drawing	SCALE - SHEET 1 OF 1 REV B1