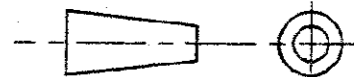


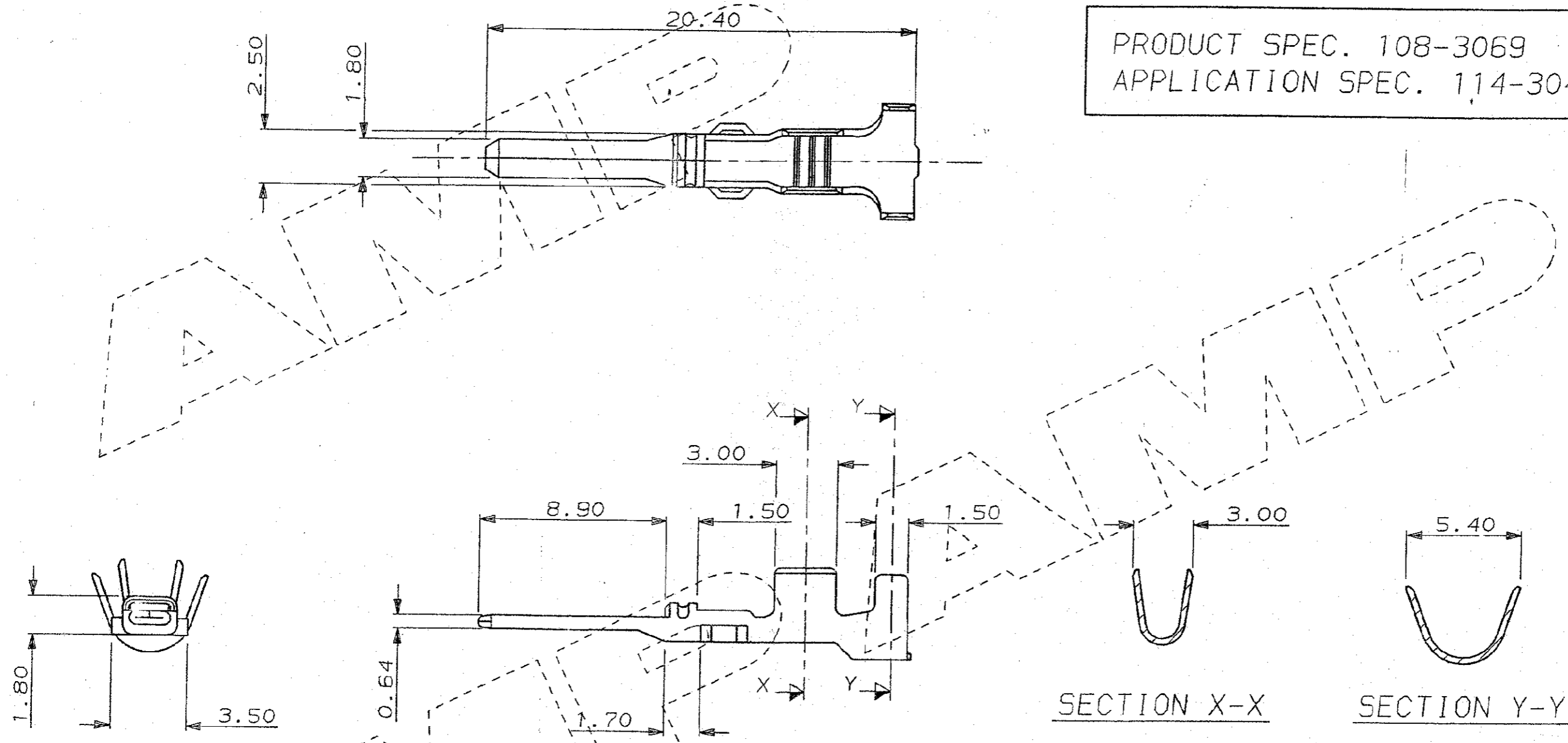
C.A.D. FILE CODE  
S. C345807.A

DO NOT SCALE

DIMENSIONS IN MM.



PRODUCT SPEC. 108-3069  
APPLICATION SPEC. 114-3040



SECTION X-X

SECTION Y-Y

WIRE RANGE: 0.75 TO 2.00 MM<sup>2</sup>  
FOR SEALED APPLICATIONS, SINGLE WIRES ONLY  
MUST BE USED.  
FOR UNSEALED APPLICATIONS, SINGLE WIRES  
ARE SUITABLE FOR THE RANGE 0.75 TO 2.00 MM<sup>2</sup>  
OR DOUBLE WIRES 2 X 0.50 MM<sup>2</sup> ONLY.

INSULATION RANGE: SINGLE WIRES 1.65 TO 2.70 MM DIA.  
OR DOUBLE WIRES 2 X 1.6 MM DIA. ONLY.  
THIN WALLED CABLE TO BE USED.

PRE-TINNED		BRASS		345807-1	
FINISH		MATERIAL		PART NUMBER	
CUSTOMER DWG FOR REFERENCE ONLY		© COPYRIGHT 1990 BY AMP OF GREAT BRITAIN LTD. ALL INTERNATIONAL RIGHTS RESERVED. ALL PRODUCTS MAY BE COVERED BY BRITISH AND FOREIGN PATENTS AND/OR PATENTS PENDING.		RELEASED FOR PUBLICATION 14 SEP 1990	
-		TOLERANCES UNLESS OTHERWISE STATED DEC ± 0.5 ANGLES ± 1°		DR. R. S. 14.9.90	
-		-		CH. R. J. S. APP. J. P.	
-		-		AMP of Great Britain Ltd. TERMINAL HOUSE STANMORE MIDDX.	
-		-		NAME .070 TAB ECONOSEAL 3	
A	E600-0044-01	14.02.01			
2	REL. TO CUST.	CS863	8.8.91		
1	PRELIM. ISSUE	-	14.9.90		
REV	APPROVED	ECN	DATE	SCALE	LOC
				5/1	E
				SIZE	DWG. No.
				A3	C345807
				REV	SHEET
				A	1/1