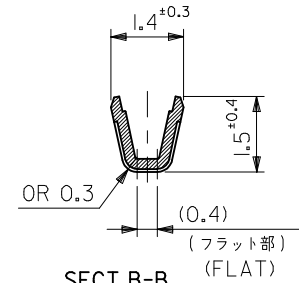
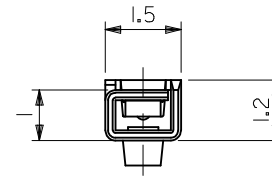
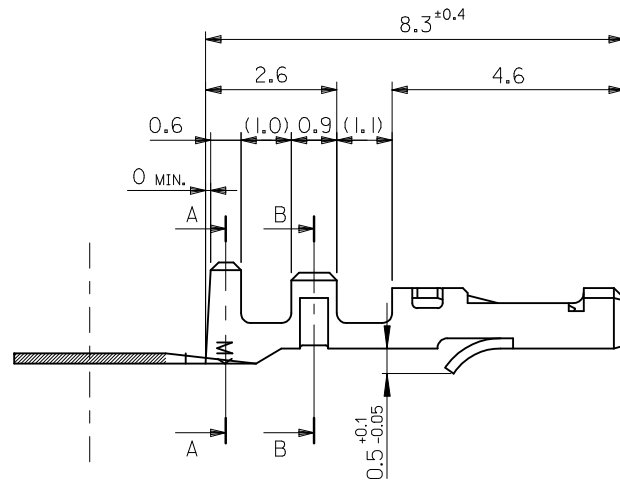


SECT.A-A



SECT.B-B



注記  
NOTES

- 適合ハウジング : 51005  
APPLICABLE HOUSING : 51005
- 嵌合相手 : 50012  
MATE WITH : 50012
- ELV 及び RoHS適合品  
ELV AND RoHS COMPLIANT.

材料 MATERIAL	リン青銅 錫メッキ (t=0.2) PHOS. BRO. PRE-TINNED (t=0.2)
仕上げ FINISH	— # —
適用電線範囲 WIRE RANGE	AWG#24 ~ #28
被覆外径 INS. RANGE	φ0.9 ~ φ1.15

REVISED	EC NO: J2010-0035
DRWN: TAKAGAWA01	2009/07/06
CHKD: MATSUMOTO	2009/07/06
APPR: NUKITA	2009/07/06

GENERAL TOLERANCES (UNLESS SPECIFIED)	
10 UNDER	±0.2
10 OVER 30 UNDER	±0.25
30 OVER	±0.3
ANGULAR	±3 °
DRAFT WHERE APPLICABLE MUST REMAIN WITHIN DIMENSIONS	

DIMENSION STYLE MM ONLY	
DRAWN BY	DATE
T. YASUI	'95/08/21
CHECKED BY	DATE
H. HIRAMOTO	'95/08/22
APPROVED BY	DATE
M. FUKUSHIMA	'95/08/22
MATERIAL NO.	
SEE TABLE	
SIZE	A3

SCALE	10:1
DESIGN UNITS	METRIC
THIRD ANGLE PROJECTION	
TITLE	
2.0 WIRE TO WIRE CONN. CRIMP REC.	
MATERIAL NO.	
50013-8100	
50013-8000	
MODEL NO.	
50013-8*00	
DOCUMENT NO.	
SD-50013-001	
SHEET NO.	
1 OF 1	