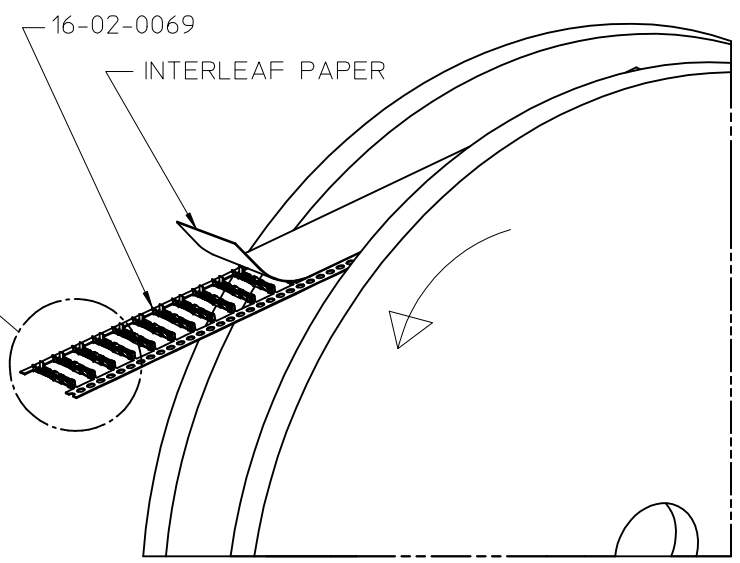
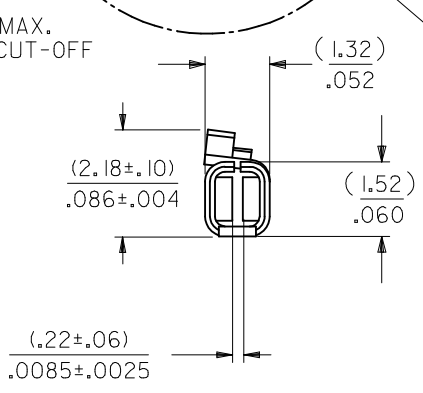
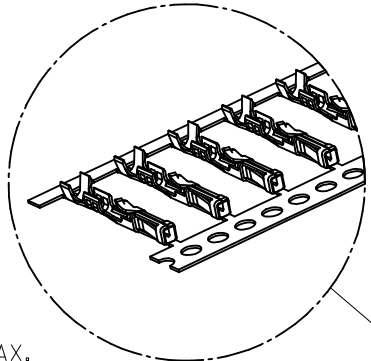
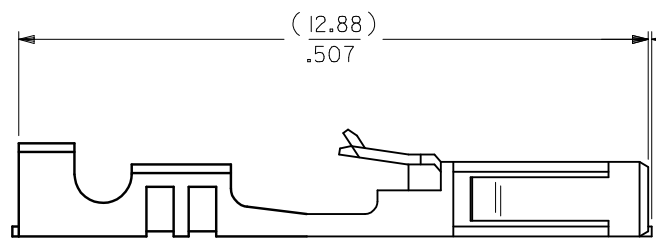
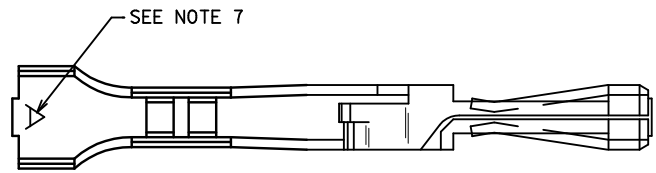


10 9 8 7 6 5 4 3 2 1



- NOTES:
1. TERMINAL TO BE USED IN HOUSING 70066-**** AND 70450-****.
 2. REFER TO PRODUCT SPECIFICATION PS-70058.
 3. REFER TO MOLEX OPERATIONS AND SERVICE MANUAL FOR CRIMP DETAILS.
 4. TERMINAL TO BE USED WITH (0.64)/.025 SQUARE PINS.
 5. TERMINAL TO BE USED WITH 24-30 AWG STRANDED WIRE WITH (1.52)/.060 MAXIMUM DIAMETER INSULATION.
 6. TERMINALS SUPPLIED IN REEL FORM.
 7. CRIMP SIZE INDICATOR A=24-30 AWG

PLATING:
 .000150 MINIMUM TIN PLATE IN SELECT AREA,
 OVER NICKEL PLATE OVERALL.

REEL UNWIND DIR EC NO: UCP2013-5345 DRN:RWHPPL 2013/06/11 CHKCD:DMORGAN 2013/06/11 APPR:SMILLER 2013/07/09	DESCRIPTION H	QUALITY SYMBOLS	GENERAL TOLERANCES (UNLESS SPECIFIED)	DIMENSION STYLE	SCALE	DESIGN UNITS	THIRD ANGLE PROJECTION	
		$\nabla=0$ $\nabla=0$ $\nabla=0$	mm INCH 4 PLACES ± --- ± --- 3 PLACES ± --- ± .005 2 PLACES ± 0.13 ± .01 1 PLACE ± 0.25 ± --- 0 PLACE ± --- ± ---	MM/IN	10:1	INCH	DRAWN BY DATE RWHPPL 2013/06/11 CHECKED BY DATE JAS 1988/02/03 APPROVED BY DATE SMILLER 2013/07/09	TITLE TERMINAL - BOX/CRIMP FOR 24-30 AWG ON A REEL
		ANGULAR ±1/2° DRAFT WHERE APPLICABLE MUST REMAIN WITHIN DIMENSIONS	MATERIAL NO. 16-02-0069	DOCUMENT NO. SD-70058-0004	SHEET NO. 1 OF 1			
		THIS DRAWING CONTAINS INFORMATION THAT IS PROPRIETARY TO MOLEX INCORPORATED AND SHOULD NOT BE USED WITHOUT WRITTEN PERMISSION						

9 8 7 6 5 4 3 2 1